

TYRE INFLATOR SOLENOID VALVE

Kushako

Tyre Inflator Solenoid Valve

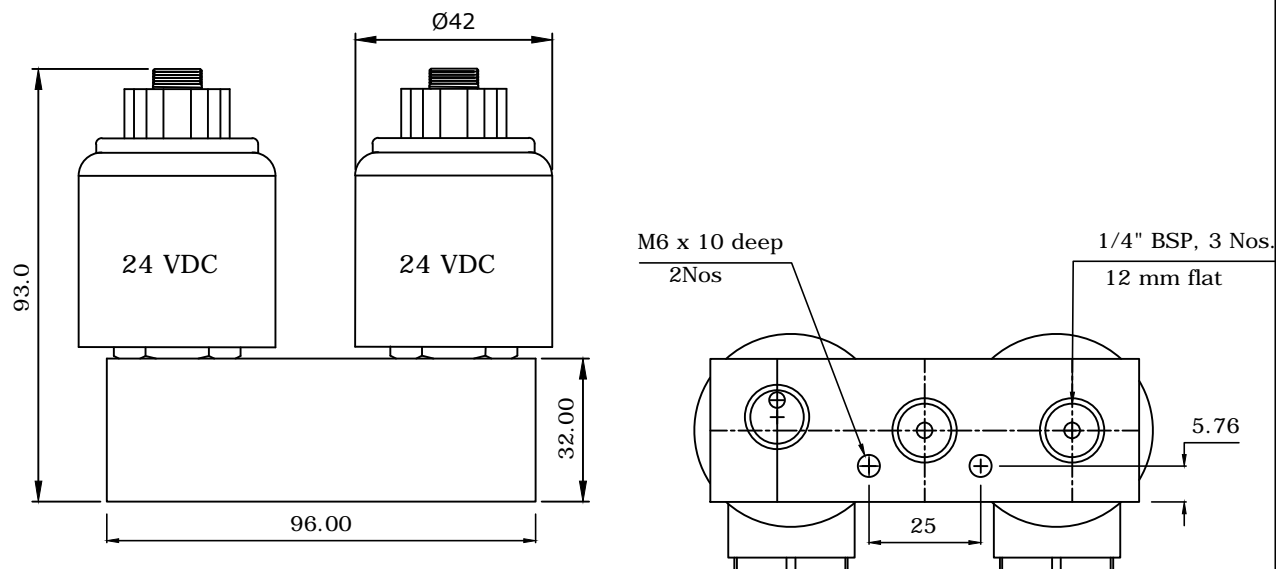
Features :

- Wide range of coil voltages.
- Continuous duty cycle.
- Low temperature of operation.
- Noiseless performance.
- Coil can be rotated by 360°.



Technical Specifications :

Model	K/TYR/PCL/2JET		
Medium	Filtered compressed air		
Port Size	1/4" BSP (F)		
Ambient / Medium temperature	5° - 60° C		
Orifice (NW)	2.4		2.8
Operating pressure (bar)	0.5 - 16		
Flow rate (Ltr / Min)	250		280
Electrical Parameters :			
Voltage (V) ± 10%	AC	DC	
	230	24	12
Power Consumption (Watts)	8	6	8
Duty Cycle	Continuous		
Type of coil protection	IP67/IP65		
Class of insulation	Class - F		
Materials of construction	Aluminum, Brass, SS 430, Copper		



Manufactured by :

Kushako India

Office : 490, Narayan Peth, Opp. Pune Marathi Granthalaya, Pune - 411030. (Maharashtra), Website : www.kushakoindia.com

Works : Sr.No. 25/1A, Village Nanded, Sinhgad Road, Tal - Haveli, Dist. Pune - 411041

Tel. No : 901169077 / 7620674777

E-mail : kushako.india@gmail.com / kushakoindia1992@gmail.com

Kushako